

**Enova**  
IDEAS EN METAL S.A.

**NEW  
AGE  
SERVICES**

# Boltless Shelving System **Riveto**<sup>®</sup>



THE STRENGTH OF SIMPLICITY

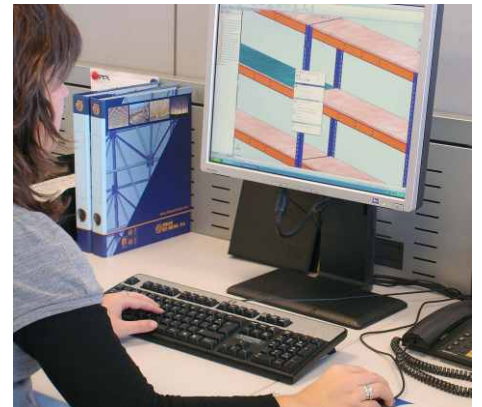


## INNOVATION

One of the pillars that supports Esnova identifying values is the constant innovation. Innovating in order to improve is one of our targets, whether in new products or optimizing the current ones.

## TECHNOLOGY

Esnova has invested in the most flexible and advanced production systems providing itself with necessary capacities for designing and manufacturing competitive metallic items, components and products according in order to fulfill costumers expectations.



## FLEXIBILITY

Due to its technological potential, Esnova provides their productive processes with a huge flexibility, making possible the new paradigm of Agile Manufacturing.



## QUALITY

Quality as a priority standard is established in each and every one process Esnova develops.

The group invests in quality and safety and also promotes environmental respect. Certifications it holds are a sample of that:

- Quality Management System Certificate (ISO 9001).
- Environmental Management System (ISO 14001).
- Occupational Health and Safety Management (OHSAS 18001).
- Norm UNE EN 1090 CE-Marking.

Great resistance and stability.  
 Easy to install.  
 A rubber mallet is all you need.

**BOLTLESS**



### SURFACE FINISH

- High durability Epoxy Polyester .
- Pregalvanized.



### VERSATILITY



Configurable / Extendable.

### PACKAGING



We take care of our products packaging protecting them from possible rubs and strokes both in transport as well as handling.

# Riveto® 1

**BOLTLESS**



## ASSEMBLY

A.- Fit the plastic feet on the uprights.



B.- Fit the crossbeams.



C.- Fit the beams.



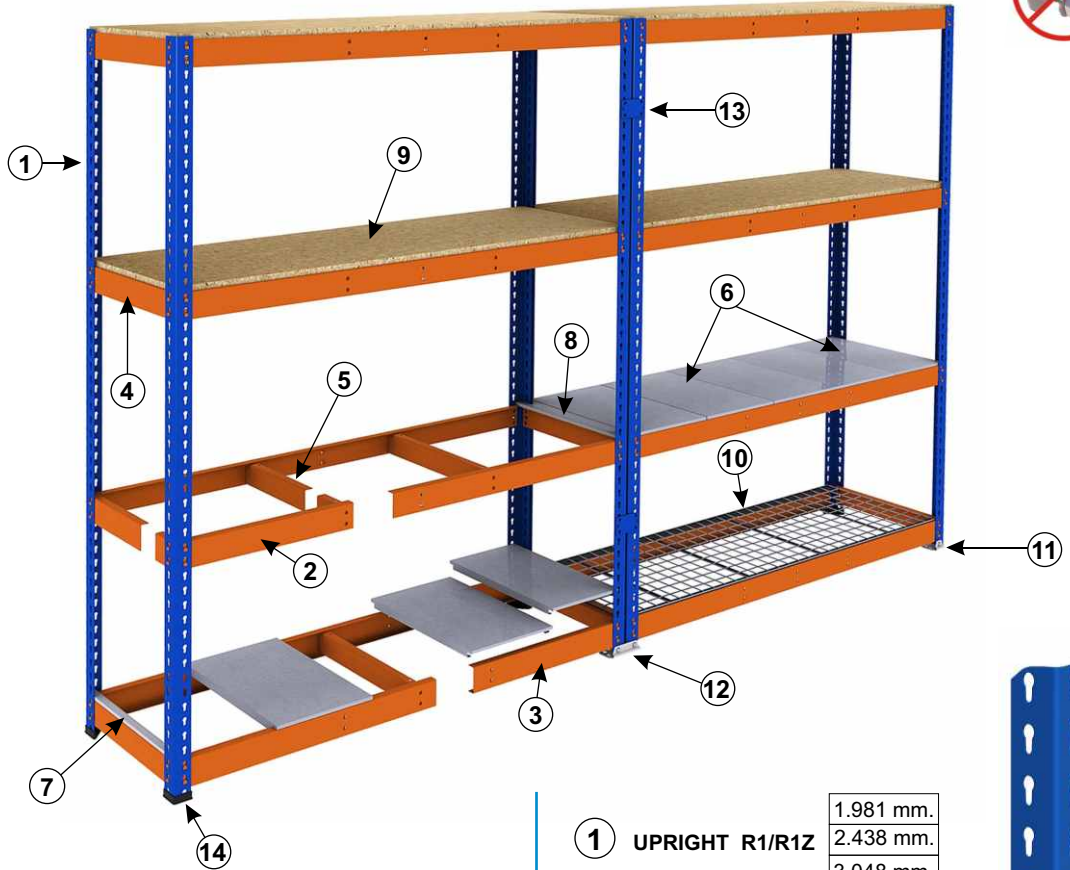
D.- Fit the bracings.



E.- Fit the chipboards.



Easy assembly.  
A rubber mallet or a nylon head one is all you need.



**1 UPRIGHT R1/R1Z**

1.981 mm.
2.438 mm.
3.048 mm.
3.658 mm.

2 mm. Thickness.



**2 BEAM LA/LAZ**

LA48	1.196 mm.
LA60	1.501 mm.
LA72	1.806 mm.



2 mm. Thickness.

**3 BEAM UA/UAZ**

UA48	1.196 mm.
UA60	1.501 mm.
UA72	1.806 mm.
UA84	2.111 mm.
UA96	2.415 mm.



2 mm. Thickness.

**4 CROSSBEAM L/LZ**

L12	280 mm.
L18	433 mm.
L24	585 mm.
L30	737 mm.
L36	890 mm.
L48	1.194 mm.



2 mm. Thickness.

**5 BRACING A/AZ**

A12	306 mm.
A18	459 mm.
A24	611 mm.
A30	763 mm.
A36	916 mm.
A48	1.220 mm.



1,8 mm. Thickness.

**6 STEEL PANEL SPR1, R1**



**7 SIMPLE STEEL PANEL CLOUSE SPR1**



**8 DOUBLE STEEL PANEL CLOUSE SPR1**



**9 CHIPBOARD PANEL AGL**

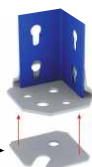


Thickness: 16 mm.

**10 SPACER R1Z**



**11 SIMPLE STEEL FEET CMS1Z**



SHIM PLATES PNZ

**12 DOUBLE STEEL FEET CMD1Z**



## STANDARD COLOURS

### UPRIGHT



Blue 5019    Grey 7032    Pregalvanized

### BEAMS / CROSSBEAMS



Orange 2004    Grey 7032    Pregalvanized



### Bays



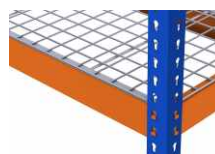
Chipboard panel.



Melamine.



Steel panel.



Wire mesh.

## STANDARD FINISHING



Blue - Orange



Grey - Grey



Blue - Grey



Pregalvanized

## MAXIMUM LOADING (Chipboard panel of 16 mm. thickness).

Kg/level (U.D.L.)

Depth	316 mm. - 486 mm. - 621 mm.				
Width	1.231 mm.	1.536 mm.	1.841 mm.	2.146 mm.	2.450 mm.
L	590 Kg/level	440 Kg/level	190 Kg/level	-	-
LA+A	770 Kg/level	640 Kg/level	420 Kg/level	-	-
LA+2A	-	680 Kg/level	450 Kg/level	-	-
U	960 Kg/level	706 Kg/level	536 Kg/level	400 Kg/level	250 Kg/level
UA+A	1100 Kg/level	800 Kg/level	610 Kg/level	577 Kg/level	545 Kg/level
UA+2A	-	1000 Kg/level	700 Kg/level	600 Kg/level	560 Kg/level

Depth	773 mm. - 926 mm. - 1.231 mm.				
Width	1.231 mm.	1.536 mm.	1.841 mm.	2.146 mm.	2.450 mm.
L	467 Kg/level	344 Kg/level	200 Kg/level	-	-
LA+A	800 Kg/level	640 Kg/level	420 Kg/level	-	-
LA+2A	-	640 Kg/level	470 Kg/level	-	-
U	760 Kg/level	560 Kg/level	720 Kg/level	323 Kg/level	200 Kg/level
UA+A	920 Kg/level	820 Kg/level	720 Kg/level	620 Kg/level	500 Kg/level
UA+2A	-	1050 Kg/level	800 Kg/level	660 Kg/level	570 Kg/level

### 13 TIE PLATE PU1



### 14 PLASTIC FEET CPN1



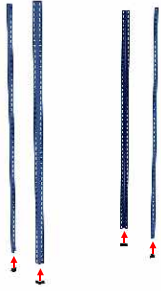
# Riveto® 1 *light*

**BOLTLESS**



## ASSEMBLY

A.- Fit the plastic feet on the uprights.



B.- Fit the crossbeams.



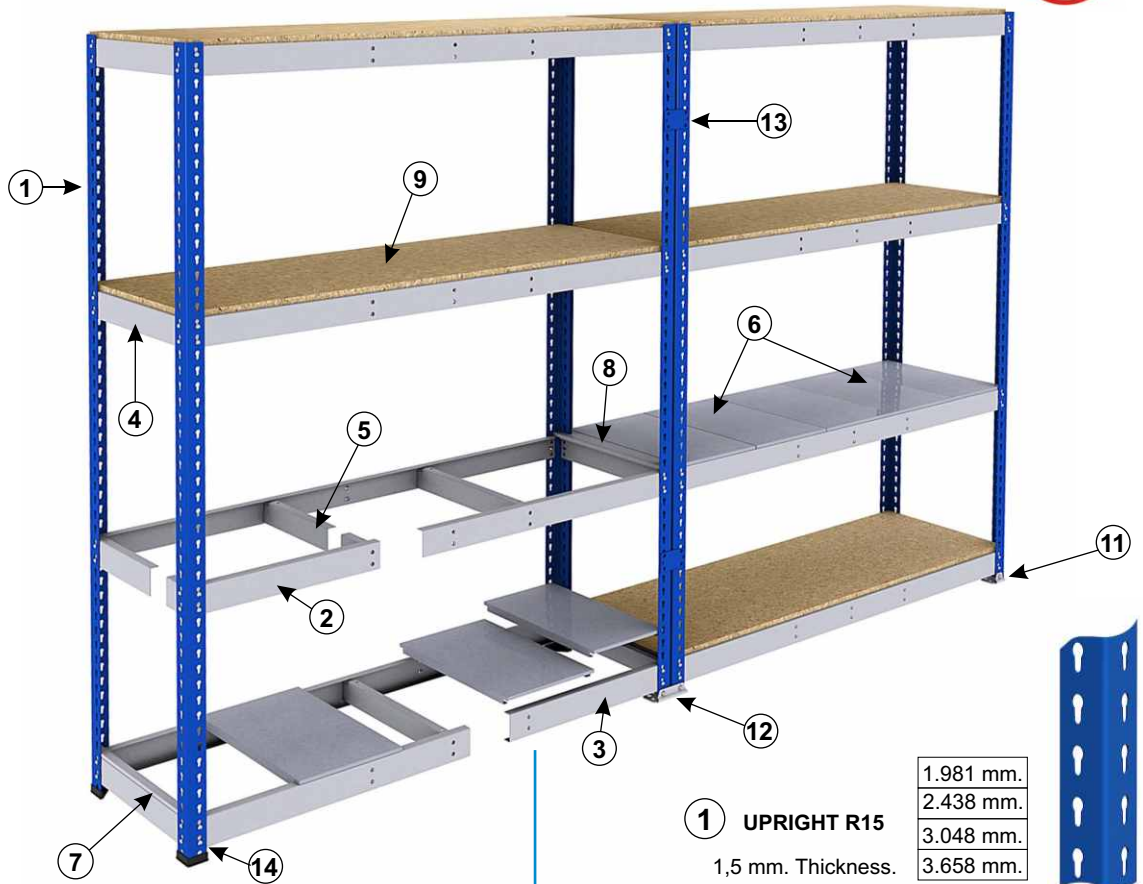
C.- Fit the beams.



D.- Fit the bracings.



E.- Fit the chipboards.



1.981 mm.
2.438 mm.
3.048 mm.
3.658 mm.

**1 UPRIGHT R15**  
1,5 mm. Thickness.



**2 BEAM La15/ LAZ15**

LA48	1.196 mm.
LA60	1.501 mm.
LA72	1.806 mm.



1,5 mm. Thickness.

**3 BEAM UA15/UAZ15**

UA60	1.501 mm.
UA72	1.806 mm.
UA84	2.111 mm.
UA96	2.415 mm.



1,5 mm. Thickness.

**4 CROSSBEAM L15/L15Z**

L12	280 mm.
L18	433 mm.
L24	585 mm.
L30	737 mm.
L36	890 mm.
L48	1.194 mm.



1,5 mm. Thickness.

**5 BRACING A**

A12	306 mm.
A18	459 mm.
A24	611 mm.
A30	763 mm.
A36	916 mm.
A48	1.220 mm.



1,8 mm. Thickness.

**6 STEEL PANEL SPR1**



**7 SIMPLE STEEL PANEL CLOUSE SPR1**



**8 DOUBLE STEEL PANEL CLOUSE SPR1**



**9 CHIPBOARD PANEL AGL**



Thickness: 16 mm.

**10 SPACER R1Z**



**11 SIMPLE STEEL FEET CMS1Z**



**12 DOUBLE STEEL FEET CMD1Z**



SHIM PLATES PNZ →

Easy assembly.  
A rubber mallet or a nylon head one is all you need.

## STANDARD COLOURS

### UPRIGHT



### BEAMS / CROSSBEAMS



### Bays



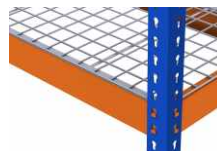
Chipboard panel.



Melamine.



Steel panel.



Wire mesh.

## STANDARD FINISHING



Blue - Orange



Grey - Grey



Blue - Grey



Pregelvanized

## MAXIMUM LOADING (Chipboard panel of 16 mm. thickness).

Kg/level (U.D.L.)

Depth	316 mm. - 486 mm. - 621 mm.				
Width	1.231 mm.	1.536 mm.	1.841 mm.	2.146 mm.	2.450 mm.
L	170 Kg/level	145 Kg/level	110 Kg/level	-	-
LA+A	590Kg/level	440 Kg/level	285 Kg/level	-	-
LA+2A	-	-	305 Kg/level	-	-
U	350 Kg/level	290 Kg/level	225 Kg/level	175 Kg/level	120 Kg/level
UA+A	695 Kg/level	630 Kg/level	560Kg/level	465 Kg/level	370 Kg/level
UA+2A	-	-	-	-	380 Kg/level

Depth	773 mm. - 926 mm. - 1.231 mm.				
Width	1.231 mm.	1.536 mm.	1.841 mm.	2.146 mm.	2.450 mm.
L	195 Kg/level	165 Kg/level	110 Kg/level	-	-
LA+A	445 Kg/level	450 Kg/level	315 Kg/level	-	-
LA+2A	-	-	350 Kg/level	-	-
U	490 Kg/level	395 Kg/level	305 Kg/level	220 Kg/level	125 Kg/level
UA+A	540 Kg/level	575 Kg/level	540 Kg/level	470 Kg/level	405 Kg/level
UA+2A	-	-	-	-	-

### 13 TIE PLATE PU1



### 14 PLASTIC FEET CPN1



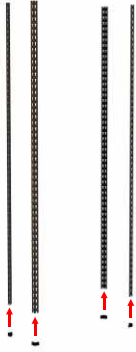
# Riveto® 2

**BOLTLESS**



## ASSEMBLY

A.- Fit the plastic feet on the uprights.



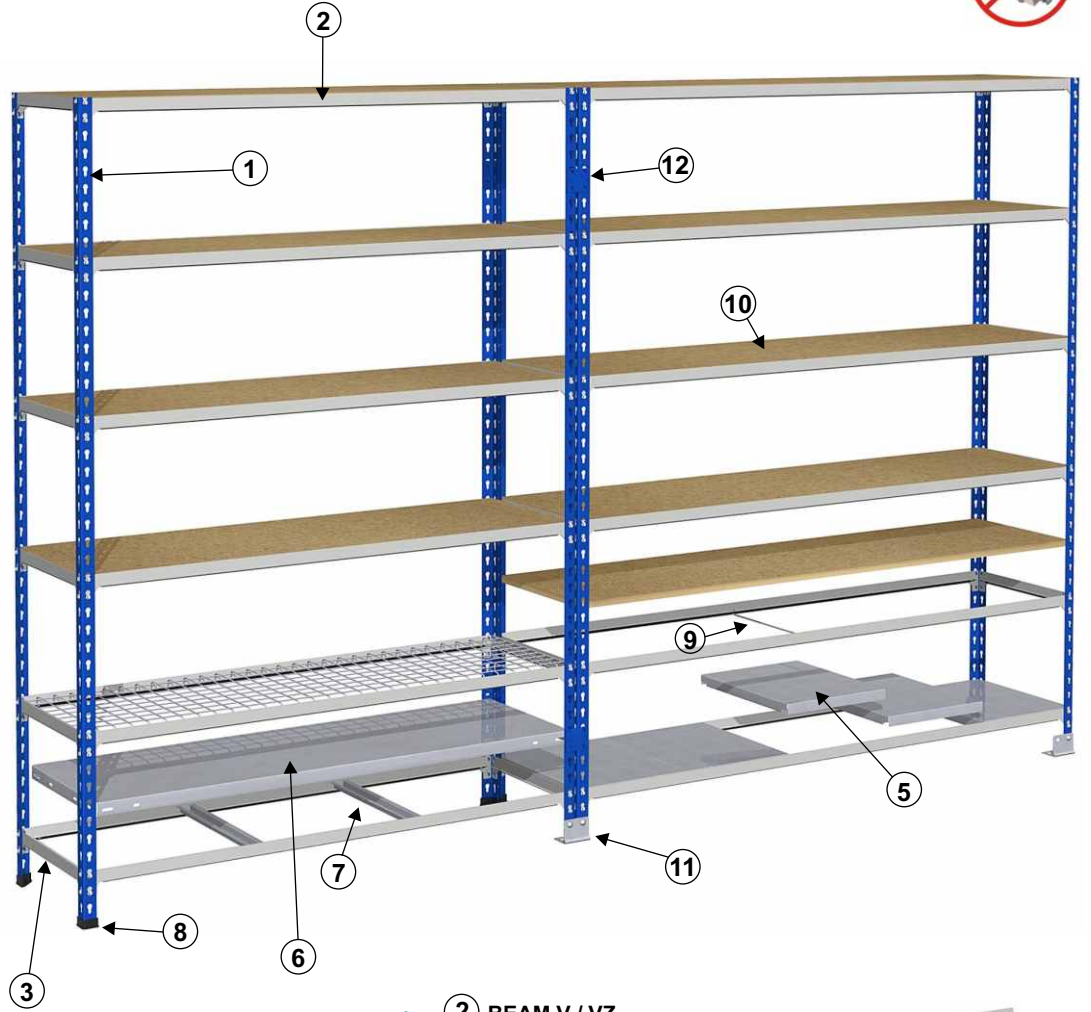
B.- Fit the crossbeams.



C.- Fit the beams.



D.- Fit de chipboards.



### 1 UPRIGHT R2 / R2 Z

1.981 mm.
2.438 mm.
3.048 mm.

1,8 mm. Thickness.



### 2 BEAM V / VZ



2 mm. Thickness.

V12	304 mm.
V14	365 mm.
V15	381 mm.
V18	456 mm.

V24	609 mm.
V30	731 mm.
V36	914 mm.
V40	1015 mm.
V48	1219 mm.

### 3 CROSSBEAM V

V12	304 mm.
V14	381 mm.
V18	456 mm.
V24	609 mm.
V30	731 mm.
V36	914 mm.



2 mm. Thickness.

### 4 BEAM VH / VHZ



For those cases where a tightening rod needs to be used.

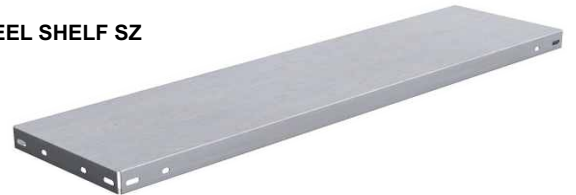
H30	731 mm.
H36	914 mm.
H40	1015 mm.
H48	1219 mm.
H60	1525 mm.



### 5 STEEL PANEL R2



### 6 STEEL SHELF SZ



### 9 WIRE BRACING VH



### 10 CHIPBOARD PANEL AGL



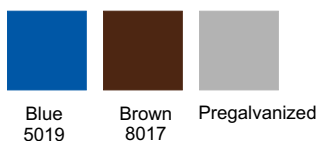
16 mm. Thickness.

Easy assembly.  
A rubber mallet or a nylon head one is all you need.



## STANDARD COLOURS

### UPRIGHT



### BEAMS / CROSSBEAMS



### Bays



Chipboard panel 16 mm.



Melamine



Steel panel



Wire mesh

## MAXIMUM LOADING

(Chipboard panel of 16 mm. Thickness).

Kg/level (U.D.L.)

Depth	Uniform Load for Kg. for length Le				
	620 mm.	742 mm.	926 mm.	1026 mm.	1230* mm.
315 mm.	428 Kg/level	351 Kg/level	188 Kg/level	157 Kg/level	101 Kg/level
376 mm.	445 Kg/level	365 Kg/level	196 Kg/level	164 Kg/level	105 Kg/level
467 mm.	459 Kg/level	376 Kg/level	209 Kg/level	175 Kg/level	112 Kg/level
620 mm.	500 Kg/level	410 Kg/level	220 Kg/level	184 Kg/level	118 Kg/level
762 mm.	-	427 Kg/level	229 Kg/level	192 Kg/level	123 Kg/level
914 mm.	-	-	234 Kg/level	209 Kg/level	134 Kg/level

## STANDARD FINISHING



Grey - Grey



Blue - Grey



Brown - Grey



Brown - Brown



Pregalvanized

### 7 STEEL SHELF REFORCE



### 8 STEEL FEET CPN2



### 11 STEEL FEET CMR2



### 12 TIE PLATE PU2/PU2Z



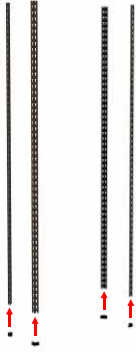
# Riveto® 2 *light*

**BOLTLESS**



## ASSEMBLY

A.- Fit the plastic feet on the uprights.



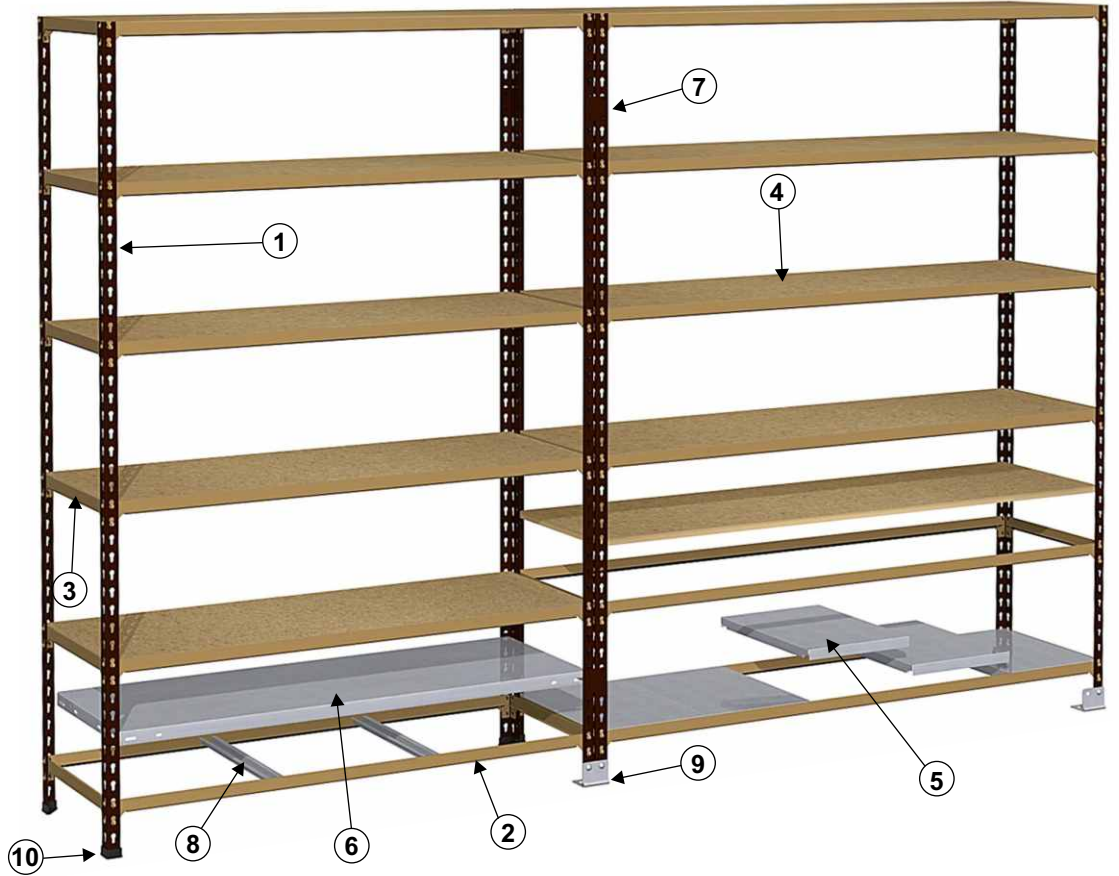
B.- Fit the crossbeams.



C.- Fit the beams.



D.- Fit de chipboards.

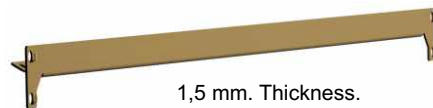


**1 UPRIGHT R3 R3Z**  
1,5 mm. Thickness.

1.981 mm.
2.438 mm.



**2 BEAM V3 / V3Z**



1,5 mm. Thickness.

V3/12	304 mm.
V3/15	381 mm.
V3/18	456 mm.
V3/24	609 mm.
V3/36	914 mm.
V3/48	1219 mm.

**3 CROSSBEAM V3**

V3/12	304 mm.
V3/15	381 mm.
V3/18	456 mm.
V3/24	609 mm.



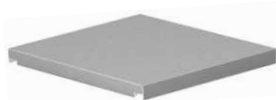
1,5 mm. Thickness.

**4 CHIPBOARD PANEL AGL**

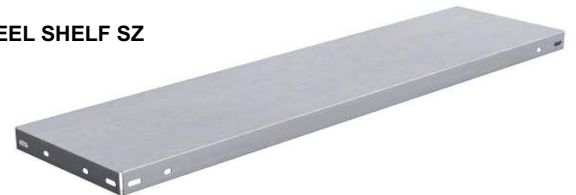
16 mm. Thickness.



**5 STEEL PANEL R3**



**6 STEEL SHELF SZ**



**7 TIE PLATE PU3 / PU3Z**



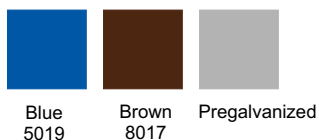
**8 STEEL SHELF REFORCE**



**Easy assembly.**  
A rubber mallet or a nylon head one is all you need.

## STANDARD COLOURS

### UPRIGHT



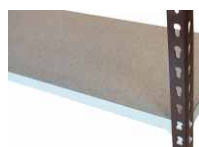
Blue 5019    Brown 8017    Pregalvanized

### BEAMS / CROSSBEAMS



Brown 8024    Grey 7032    Pregalvanized

## Bays



Chipboard panel 16 mm.



Melamine



Steel panel



## MAXIMUM LOADING

(Chipboard panel of 16 mm. Thickness).

Kg/level (U.D.L.)

Depth	Uniform Load for Kg. for length LE				
	620 mm.	742 mm.	926 mm.	1026 mm.	1230 mm.
315 mm.	163 Kg/level	139 Kg/level	120 Kg/level	106 Kg/level	78 Kg/level
376 mm.	177 Kg/level	153 Kg/level	127 Kg/level	119 Kg/level	79 Kg/level
467 mm.	195 Kg/level	179 Kg/level	136 Kg/level	123 Kg/level	82 Kg/level
620 mm.	226 Kg/level	199 Kg/level	152 Kg/level	130 Kg/level	86 Kg/level
762 mm.	-	219 Kg/level	165 Kg/level	135 Kg/level	90 Kg/level
914 mm.	-	-	184 Kg/level	143 Kg/level	95 Kg/level

## STANDARD FINISHING



Grey - Grey



Blue - Grey



Brown - Grey



Brown - Brown



Pregalvanized

### 9 STEEL FEET CMR2



### 10 STEEL FEET CPN2



# Riveto® 1



- ▶ This system multiplies the storage space, by means of one or more passable aisle between shelves.
- ▶ Quick installation based on picking, which allows the organization of every kind of products.



# STANDARD COLOURS

## UPRIGHT



Blue  
5019

Grey  
7032

## BEAMS / CROSSBEAMS



Blue  
5019

Orange  
2004

Grey  
7032

### Dimensions

Height (mm.)	Staircase*	Aisle Height (mm.)
4.800	14 steps	2.625
4.000	11 steps	2.100

\*Staircase width: 1.000 / 900 / 800 mm.

### Aisles

Width (mm.)	Load
1.200 - 1.100 - 1.000 - 900 - 800	250 Kg/m <sup>2</sup>

### Standard Finishing

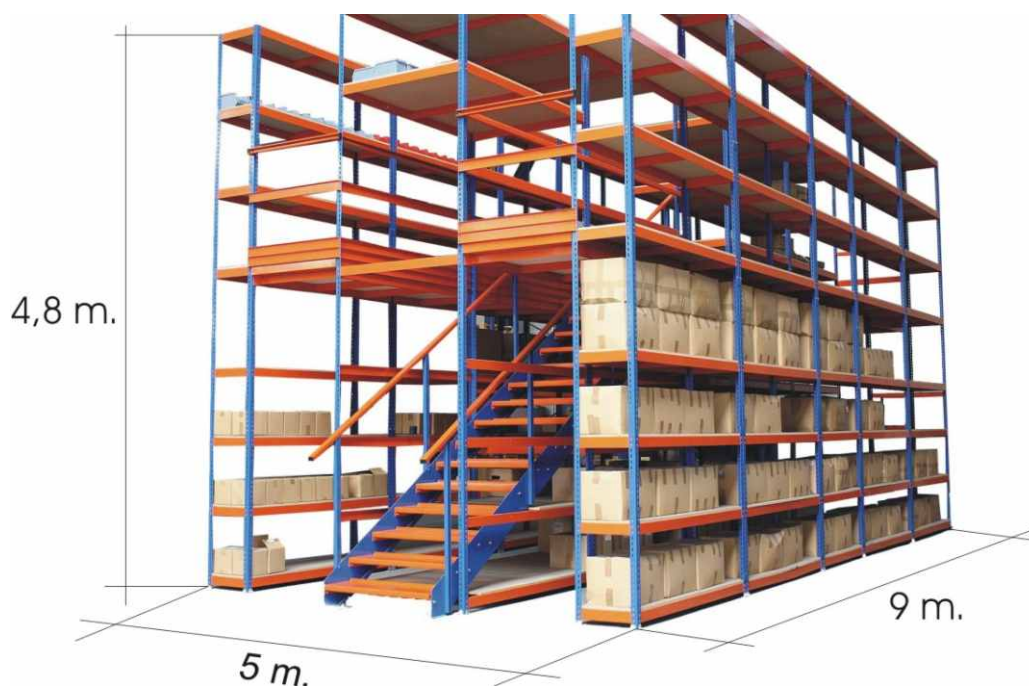
Bays	Aisles
Chipboard panel 16 mm.	Chipboard panel 30 mm.
Steel panel	Steel decking

### Bays

Levels	Load*	Anti-Fall Mesh
6 - 11	Until 370 Kg.	Optional

\*Kg/Level (U.D.L.). Chipboard panel of 16 mm. thickness.

Width (mm.)	1.231 - 1.536 - 1841
Depth (mm.)	468 - 620 - 773 - 926 - 1.230





**Nylon mallet.**



**Magnetic labels.**

Dimensions:  
80 X 25 mm. **Riveto® 2**  
120 X 50 mm. **Riveto® 1**



**Dividers and ledges. Riveto® 2**



**Spacer.**  
Recommended for bays  
2 m and higher.  
Distance from wall:  
- 50 mm.  
- 100 mm.



**Riveto® shelving with paraffined cardboard bins.**

**Paraffined cardboard bin.**

Dimensions (W X D X H):  
205 X 267 X 113 mm.  
135 X 267 X 113 mm.  
70 X 267 X 113 mm.



**Riveto® shelving  
with plastic bins.**



**Riveto® shelving with archive storage boxes.**



**Archive storage boxes.**

Dimensions (W X D X H):  
Overall: 350 X 445 X 267 mm.  
Internal: 330 X 406 X 254 mm.





**Tyre Rack.**



**Reel Rack.**



**Work Station.**



**Trolley.**



**Work Bench.**

The screenshot shows a web browser window with the URL www.newageservices.ie. The page features a navigation menu on the left with links for Home, About Us, Products, Special Offers, and Contact. A central text block describes the company as an Irish-owned business established in 1971, specializing in storage systems and office furniture. A call to action encourages visitors to click a link to order a product catalogue. On the right, there is a photograph of a modern industrial building with a white van parked in front.

**NEW AGE SERVICES**

Home  
About Us  
Products  
Special Offers  
Contact

**Click [HERE](#) to order our Products Catalogue NOW!!**

**New Age Services**

New Age Services is an Irish owned Business established in 1971 by Managing Director Jack Phelan and are one of Irelands leading suppliers of storage systems, mezzanine floors and office furniture. We understand the need for well-designed, space-efficient workplaces. New Age Services major strength lies in the ability to provide a total service for our customers. From conception through to installation, we have the experience, capacity and commitment to find the answer to your storage or furniture requirement.

New Age Storage Systems Ltd., Unit 36, Rosemount Business Park, Ballycoolin Road, Dublin 11, Tel: 01 8128616, Fax: 01 8128620

[www.newageservices.ie](http://www.newageservices.ie)

NEW AGE STORAGE SYSTEMS LTD.  
UNIT 36  
ROSEMOUNT BUSINESS PARK  
BALLYCOOLIN ROAD  
DUBLIN 11

TEL: (01) 812 8616  
FAX: (01) 812 8620  
Email: [reception@newageservices.ie](mailto:reception@newageservices.ie)



Esnova,  
Member of European  
Federation of Materials  
Handling (FEM).



- Esnova is certified on the norm UNE EN 1090 CE-Marking
- Esnova is certified for the Quality Management System (ISO 9001)
- Esnova is certified for the Environmental Management System (ISO 14001)
- Esnova is certified for the Occupational Health and Safety Management (OHSAS 18001)